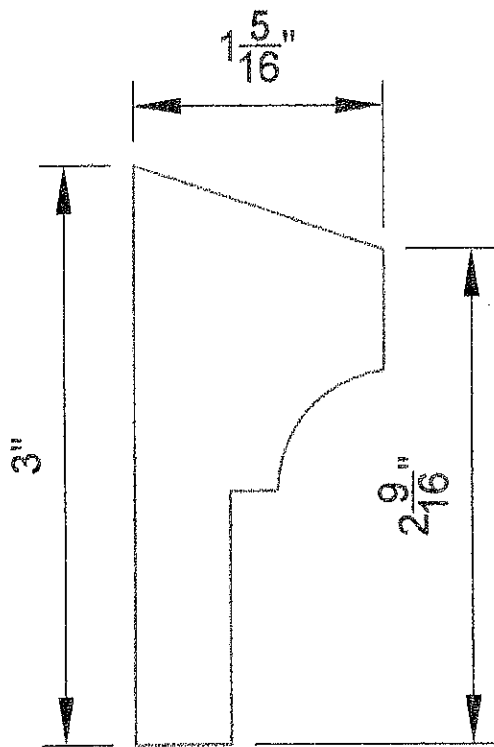
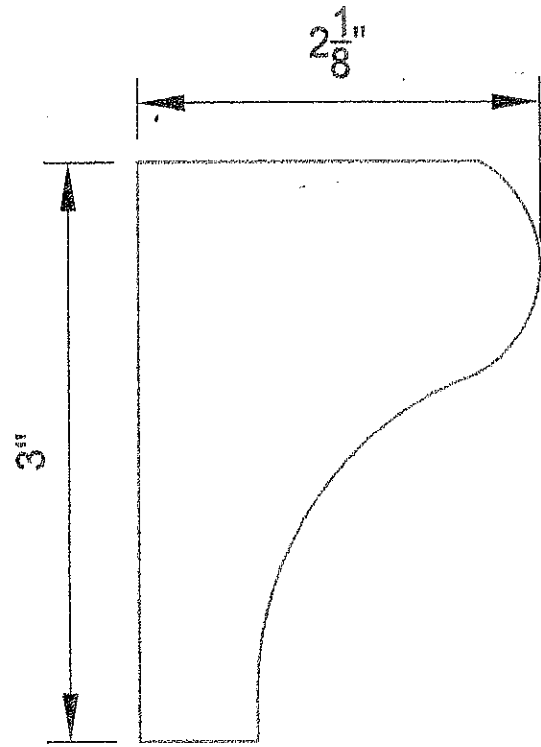


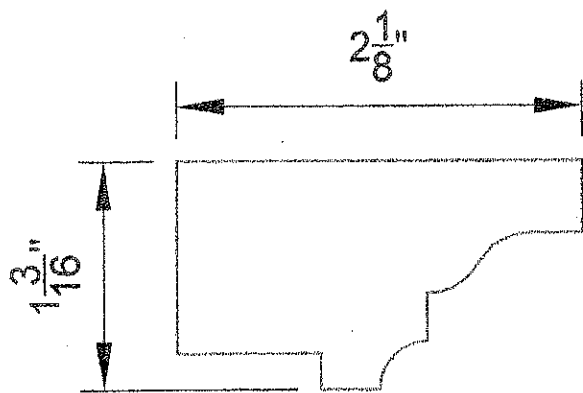
PEDIMENTS



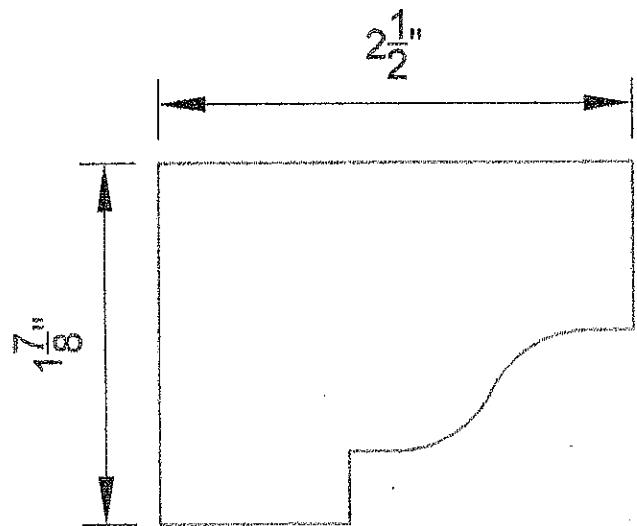
PD 100



PD 101



PD 102



PD 103